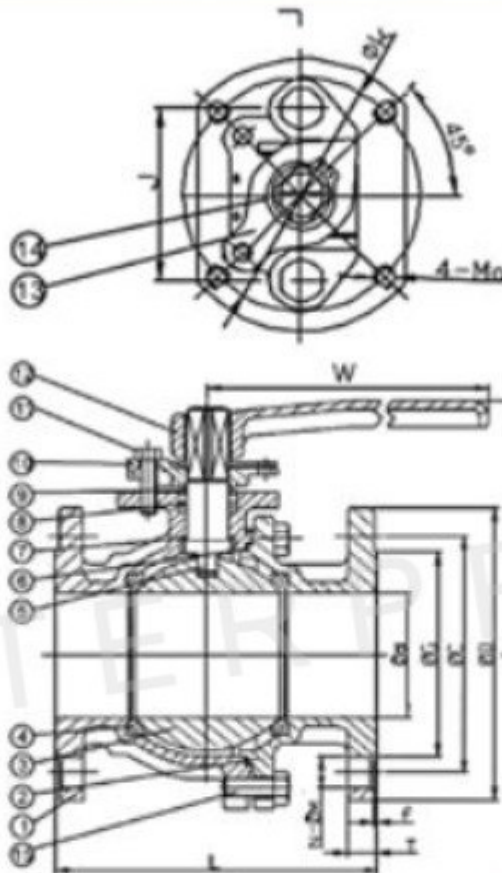


BV-13F บอลวาล์วเหล็กหล่อ  
หน้าแปลน 10K



- \* Face to Face Dimensions: JIS B2002.
- \* End Flanged Dimensions: JIS B2220
- \* Blow-Out Proof Stem / Full Port.
- \* Lever Operated or Gear Operated.
- \* With ISO5211 Mounting Pad or Gland Type.
- \* PTFE +15%GF or +25%GF for Seat when required.

**Test Pressure: JIS B2003**

- Body : 2.1MPa / 21.5 kg/cm<sup>2</sup> (Hydrostatic)
- Seat : 1.6MPa / 16.5 kg/cm<sup>2</sup> (By Water)
- 0.6MPa / 6 kg/cm<sup>2</sup> (By Air)

Dimension \* Design: ANSI 16.34

mm

Size	inch	1/2	3/4	1	1.1/4	1.1/2	2	2.1/2	3	4	5	6	8	10	12
	mm	15	20	25	32	40	50	65	80	100	125	150	200	250	300
Bore Size d		15	20	25	32	40	50	65	80	100	125	150	200	250	300
D		95	100	125	135	140	155	175	185	210	250	280	330	400	445
L		110	120	130	140	165	180	190	200	230	300	340	450	530	610
H		92	98	103	107	112	122	151	161	175	224	247	305	327	355
W		160	160	160	160	230	230	350	350	350	750	750	1000	1000	1000
Torque kgf/cm		43	58	85	140	160	210	350	520	700	2500	3000	3800	5100	6200

Model	BV-13F	BV-17F	BV-34F	BV-36F
Body	FC 20	WCB	SCS13	SCS14
Cap	FC 20	WCB	SCS13	SCS14
Ball	SCS13	SCS13	SCS13	SCS14
Seat	PTFE			
Stem	SUS304	SUS304	SUS304	SUS316
Gasket	PTFE			
Thrust Washer	PTFE			
Packing	PTFE			
Stem Packing	PTFE			
Gland	SS41	SCS13		
Gland Bolt	S41C	C.S.	SUS304	
Handle	FC			
Stopper	SS304			
Snap Ring	SS304			
Bolt	S41C	C.S.	SUS304	