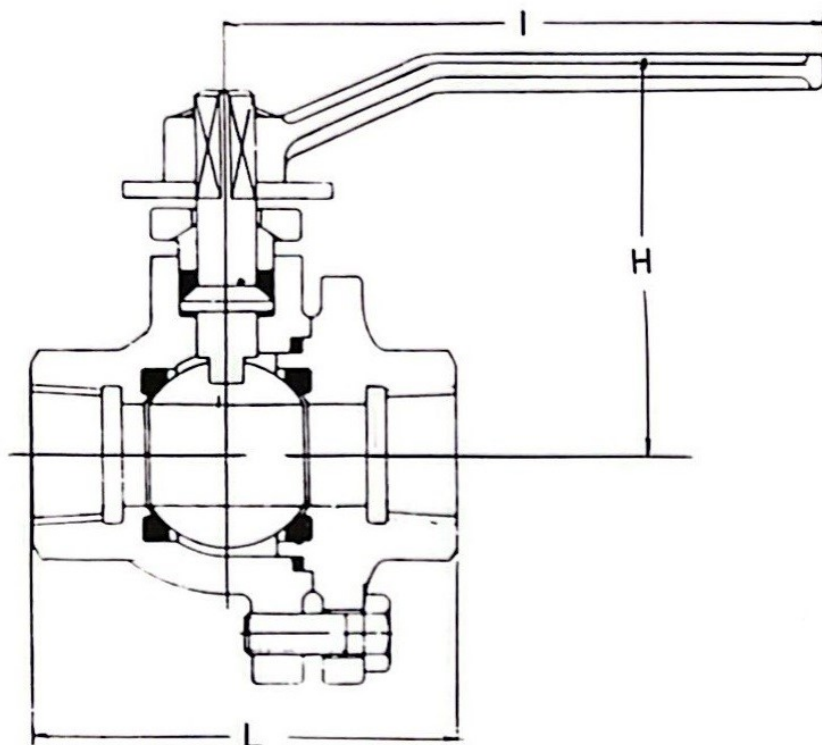


317

CAST STEEL 2-PIECE BALL VALVE

MODEL NO: BV-17S SCREWED END FULL BORE

**150 PSI WOG NON-SHOCK**

PARTS NAME	MATERIAL
BODY	WCB
END CAP	WCB
BALL	AISI 304
STEM	SUS 410
SEAL/SEAT	PTFE
GLAND	WCB
GASKET	PTFE
HANDLE	FCD
BOLT	SS 41

TEST PRESSURE: BODY 230PSI (WATER)
SEAT 100PSI (AIR)

DIMENSIONS

บอลวาล์วสองชั้นเหล็กเหนียวเกลียว / รูเต็ม

mm

SIZE	IN	1/2	3/4	1	1¼	1½	2	2½	3	4				
	mm	15	20	25	32	40	50	65	80	100				
BORE SIZE		15	21.6	24.5	32	38	50	62	74	98				
L END TO END		77	89	96	100	118	141	181	213	245				
H HEIGHT		77	80	95	105	125	145	151	170	196				
I HANDLE		133	133	133	133	215	215	295	295	385				