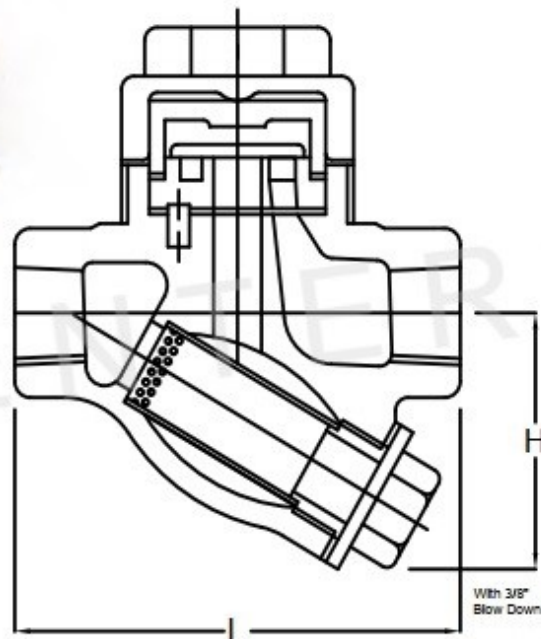


สตีมแทรปเหล็กหล่อเกลียว



- Thread: BS21
- Working Temperature: 120°C
- Max. Temperature: 220°C
- Test Pressure: Body 32 kgf/cm² (Hydrostatic)
- Working Pressure: 0.3 kgf/cm² - 16 kgf/cm²

Material

Model	ST-8LS
Body	IRON
Bonnet/Plug	IRON
Seat	SS 410
Disc	SS 304
Seal	PTFE
Packing	PTFE
Screen	SS 304

Dimension

Size	inch	1/2	3/4	1
	mm	15	20	25
L		95	105	110
H		56	65	70

Capacity

P kg/cm ²	Capacity																
	0.3	0.6	1	2	3	4	5	6	8	10	12	14	16				
15	160	205	250	320	380	420	460	490	540	590	630	660	690				
20	230	295	360	460	530	590	640	690	770	840	900	960	1000				
25	290	380	460	590	680	760	820	880	980	1060	1130	1200	1260				

kgf/H