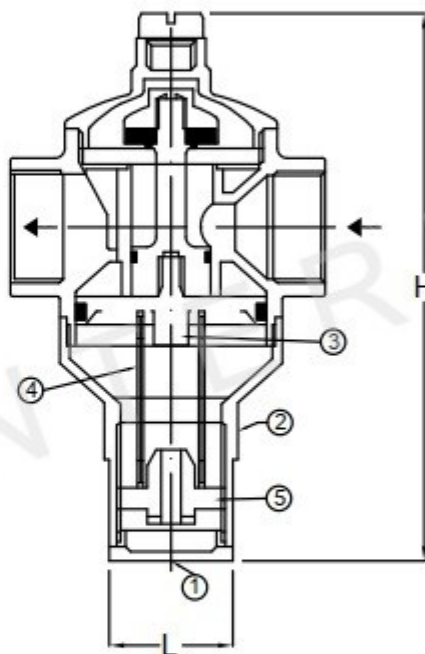


## รีดิวซิงวาล์วทองเหลืองเกลียว



- Thread: BS21
- Max. Temperature: 120°C
- Test Pressure: Body 15 kgf/cm<sup>2</sup> (Hydrostatic)
- Outlet Primary Pressure: 0.5 kgf/cm<sup>2</sup> - 5 kgf/cm<sup>2</sup>

### Material

| Model         | PR-B6S            |
|---------------|-------------------|
| Body          | ASTM B124 or B584 |
| Bonnet        | ASTM B124         |
| Piston        | ASTM B124         |
| Stem          | ASTM B16          |
| Seat          | ASTM B16          |
| Disc          | NBR               |
| Spring        | SWPA              |
| Spring Holder | ASTM B16          |
| Bottom Cover  | ABS               |
| O-Ring        | NBR               |

### Dimension

mm

| Size | inch | 1/2 | 3/4 | 1   | 1.1/4 | 1.1/2 | 2   |
|------|------|-----|-----|-----|-------|-------|-----|
|      | mm   | 15  | 20  | 25  | 32    | 40    | 50  |
| L    |      | 60  | 62  | 90  | 95    | 95    | 95  |
| H    |      | 110 | 110 | 152 | 165   | 165   | 165 |