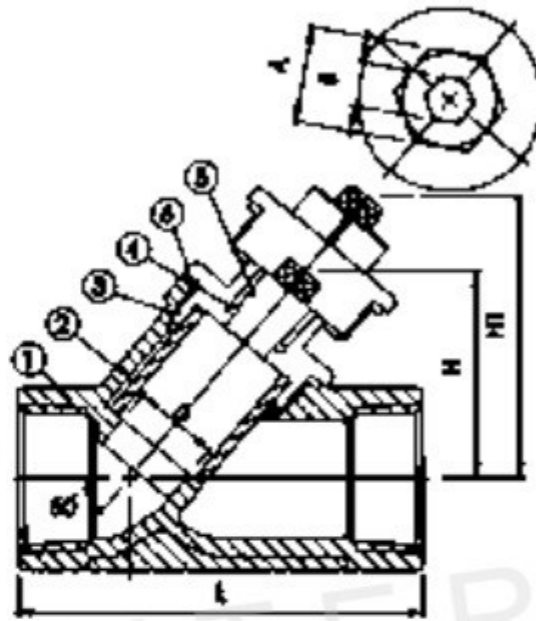


STAINLESS STEEL 316 Y-STRAINER



- * Please name the model No. (VTY) when negotiation.
- * Investment Casting Body.
- * Max. Pressure 300 PSI (20 BAR) W.O.G.
- * Max. Working Temperature 230°C.
- * The End-To-End length conforms to DIN 3202. Part 4. M8 series. (PN16, PN 40)
- * Thread Ends conform to ANSI B2.1, BS21, DIN 259/2999 Standard.

Dimension

mm

| Size | inch | 1/4 | 3/8 | 1/2 | 3/4 | 1 | 1.1/4 | 1.1/2 | 2 | 2.1/2 | 3 |
|-----------|------|-----|-----|-----|-----|------|-------|-------|-----|-------|-----|
| | mm | 8 | 10 | 15 | 20 | 25 | 32 | 40 | 50 | 65 | 80 |
| D | | 10 | 10 | 15 | 20 | 25 | 32 | 38 | 51 | 65 | 80 |
| L | | 57 | 57 | 60 | 69 | 85 | 99 | 111 | 137 | 172 | 205 |
| H | | 35 | 35 | 38 | 42 | 50 | 55 | 59 | 73 | 91 | 110 |
| H1 | | 45 | 45 | 51 | 55 | 66 | 73 | 80 | 100 | 153 | 173 |
| A | | 16 | 16 | 16 | 16 | 20.7 | 25 | 25 | 32 | 38 | 38 |
| B | | 8 | 8 | 8 | 8 | 10 | 12 | 12 | 12 | 15 | 15 |

VTY วายสเตรนเนอร์สแตนเลส 316 เกลียว

Material

| | Model | VTY |
|---|--------------|----------|
| 1 | Body | CF8M |
| 2 | Screen | CF8M |
| 3 | Bonnet | CF8M |
| 4 | Packing | PTFE |
| 5 | Plug | AISI 316 |
| 6 | Joint Gasket | PTFE |