

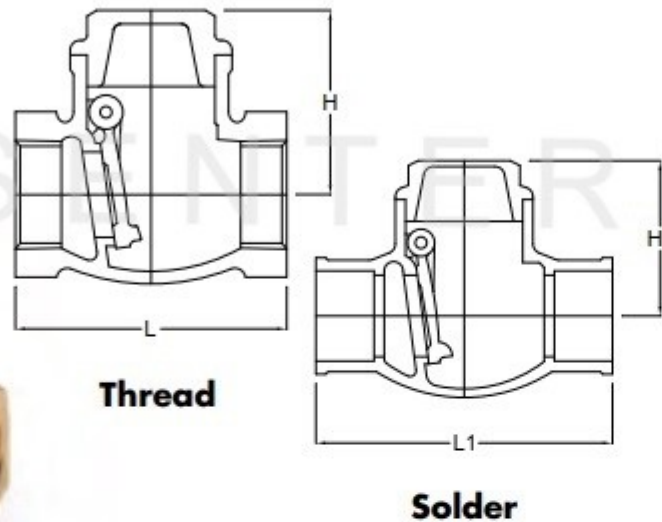
BRONZE SWING CHECK VALVE CLASS 300

สวิงเช็ควาล์วทองเหลืองเกลียว Bronze

- * Screwed cap, Swing type disc, Integral seat.
- * Threaded ends to BS21 or ANSI B2.1, or solder joint ends.

Working Pressure

Bronze 300 psi



Thread

Solder

Dimension

mm

Size	inch	1/2	3/4	1	1.1/4	1.1/2	2	2.1/2	3	4
	mm	15	20	25	32	40	50	65	80	100
D Bore Size		13	19	25	31	37	49	62	75	98
L End To End		54	61	70	82	92	108	137	150	180
H Height (Open)		37	41	46.5	57	61.5	69	86	92	110
D1 Bore Size		13	19	25	31	37	49			
L1 Solder End To End		65	80	97	109	126	145			
H1 Height (Open)		37	40	46	57	63	72			
Packing (Pcs/Per Box)		120	80	60	40	30	24	15	10	6

Material

Model	BG-T25
Body	BRONZE
Cover	BRONZE
Disc	BRONZE
Pin	BRASS ROD
Bolt	BRASS ROD