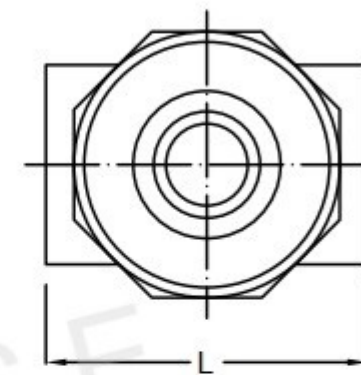
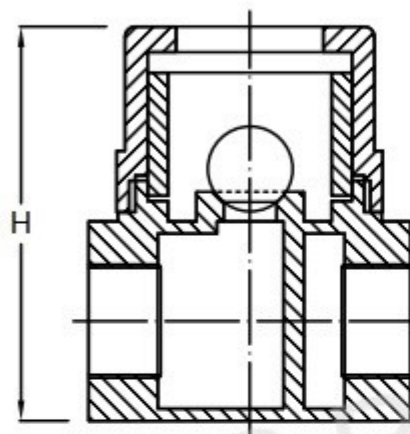




## ไซท์กลาสเหล็กหล่อเกลียวรูนลูกบอล



- Thread ends to BS21
- Usage Scope: Steam, General Liquid.

Working Pressure : 0.35 ~ 7 kg/cm<sup>2</sup>

Working Temp. : 220°C

### Dimension

mm

Size	inch	1/2	3/4	1	1.1/4	1.1/2	2
	mm	15	20	25	32	40	50
L		76	76	80	122	122	126
H		92	92	98	116	116	128

### Material

Model	SK-T8
Body	CAST IRON
Main Part	TEFLON